

MURATORI

TIPO-TYPE-TYP
MZ8IF
MZ8IV

CATALOGO RICAMBI
Catalogue Pièces Detachées
Ersatzteilkatalog
Spare Parts Catalogue
Catálogo Recambios

EDIZIONE 11/2002

Per ordinare parti di ricambio specificare:

- tipo e matricola della macchina (apposti sulla macchina o sui documenti di acquisto);
- numero del riferimento del pezzo nel disegno (Pos.), numero della tavola (Tav.) e numero di codice

N.B.: le indicazioni destro o sinistro vengono date guardando la macchina da dietro.

Pour les commandes de pièces de rechange veuillez spécifier:

- *type et numéro de série de la machine (indiqués sur la machine et sur le bon d'achat);*
- *numéro de référence du pièce sur le plan (Pos.), numéro du plan (Tav.) et numéro de code (codice)*

N.B.: *les indications droite ou gauche sont données en regardant la machine par derrière.*

Zum Bestellen von Ersatzteilen folgendes angeben:

- *Typ und Serien-Nr. der Maschine (zu finden auf der Maschine oder der Einkaufspapieren);*
- *Bezug-Nr. des Ersatzteils auf der Zeichnung (Pos.), Zeichnungsnummer (Tav.) und Kodenummer (codice)*

N.B.: *Die Angaben rechts und links verstehen sich so, dass man hinter der Maschine steht.*

When ordering spare parts specify:

- machine type and serial number (found on the machine or on the purchasing documents);
- reference number of the part on the relative drawing (Pos.), number of the drawing (Tav.) and part number (codice)

N.B.: right-hand or left-hand indications are made by viewing the machine from the rear.

TAV. 1.0 1/2

GRUPPO TELAIO
ENSEMBLE CHASSIS
SATZ FÜR RAHMEN
KIT FOR FRAME

TAV. 1.0 2/2

GRUPPO TELAIO
ENSEMBLE CHASSIS
SATZ FÜR RAHMEN
KIT FOR FRAME

TAV. 2.0

GRUPPO RULLO ROTORE STANDARD A 6 ZAPPE
ENSEMBLE ROTOR STANDARD A 6 LAMES
SATZ FÜR STANDARDROTOR ZU 6 MESSER
KIT FOR STANDARD ROTOR 6 BLADES

TAV. 3.0

GRUPPO RIDUTTORE A 1 VELOCITA'
ENSEMBLE BOITIER MONOVITESSE
SATZ FÜR EINGANGGETRIEBE
KIT FOR ONE-SPEED GEAR BOX

TAV. 4.0

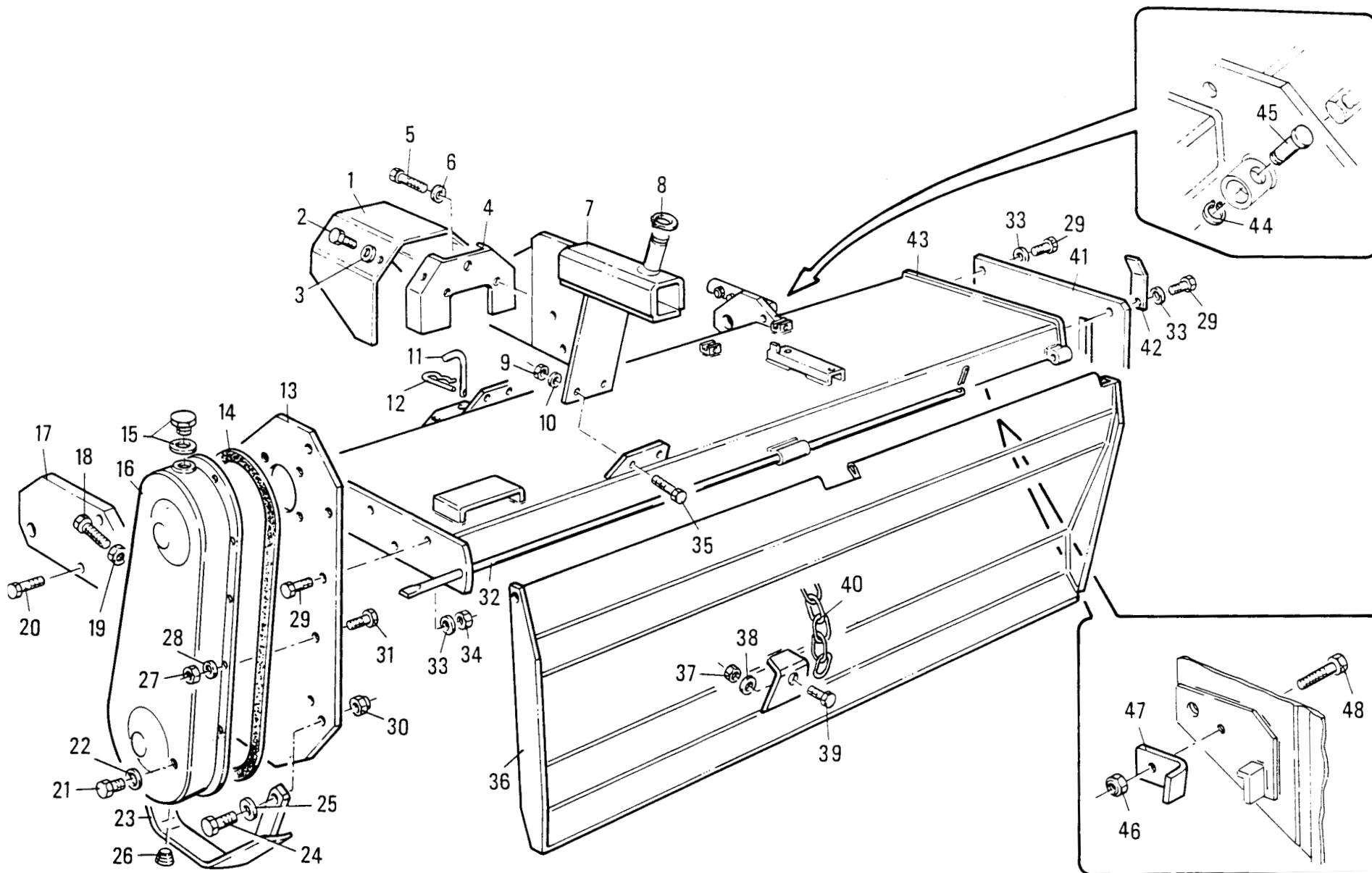
IMPIANTO OLEODINAMICO
INSTALLATION HYDRAULIQUE
OELDYNAMISCHE ANLAGE
HYDRAULIC SYSTEM

TAV. 5.0

COMANDO SPOSTAMENTO
COMMANDE DU DEPLACEMENT
ANTRIEB DER VESTELLUNG
OFFSETTING COMMAND

TAV. 6.0

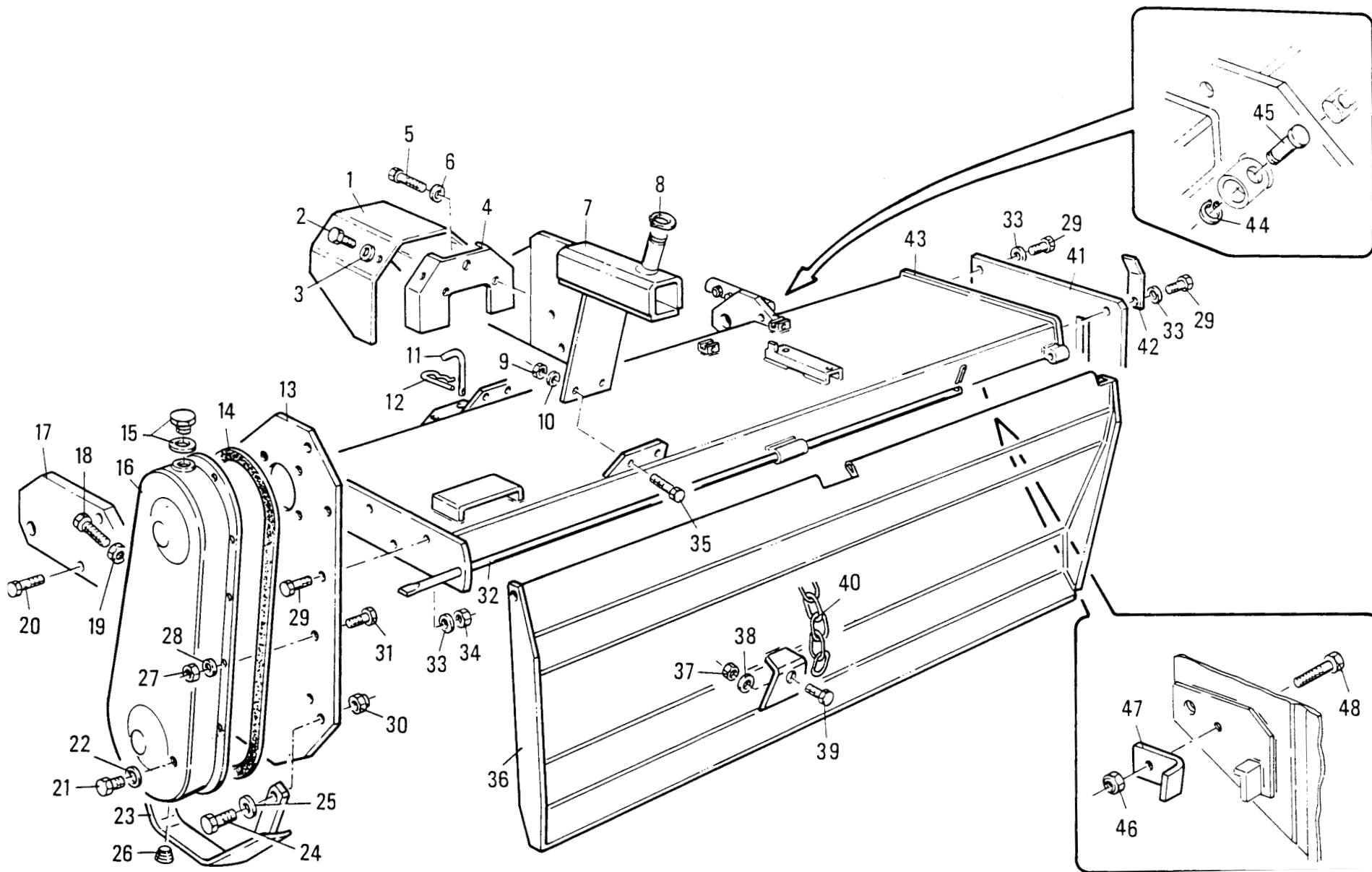
PROTEZIONI ANTINFORTUNISTICHE "CE"
PROTECTIONS "CE"
UNFALLSCHTZVORRICHTUNGEN "CE"
SAFETY GUARDS "CE"



MURATORI MZ8IF - MZ8IV

TAV. 1.0 1/2

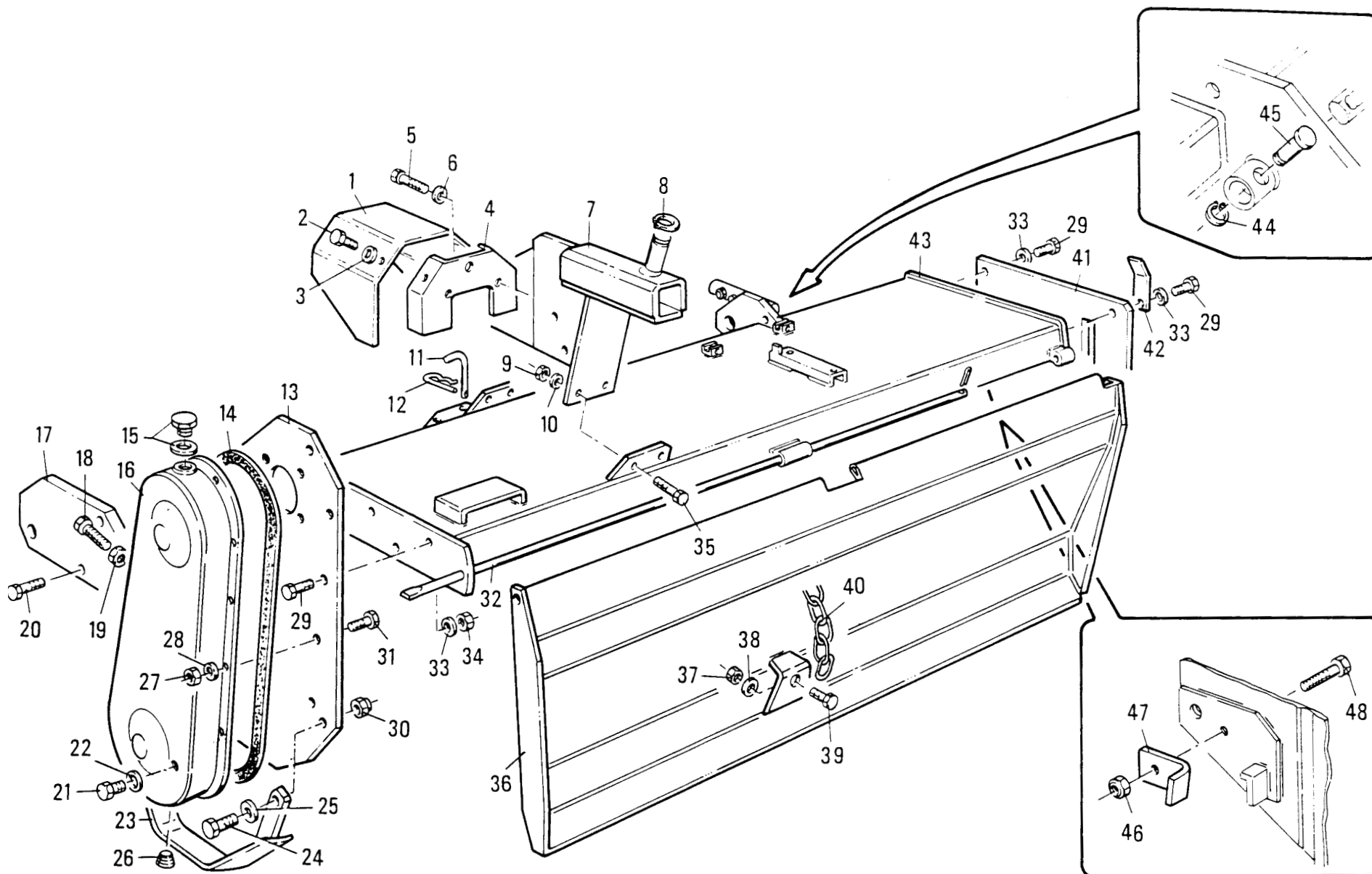
| POS. | N° | CODICE | Q | DESCRIZIONE | DESIGNATION | BENENNUNG | DESCRIPTION | DESIGNAZIONE | Da matr. | Fino matr |
|------|----------|--------|---|-----------------|----------------|----------------------|--------------|-----------------------|-----------------|--------------------|
| | | | | | | | | | De nr. serie | Jusqu'au nr. serie |
| | | | | | | | | | Vom Seriennr. | Bis Seriennr. |
| | | | | | | | | | From serial nr. | Up to serial nr. |
| 1 | 39081300 | 1 | | PROTEZIONE | PROTECTION | SCHUTZ | GUARD | | | |
| 2 | 60015100 | 2 | | VITE | VIS | SCHRAUBE | SCREW | TE 8 x 16 UNI 5739 | | |
| 3 | 61004700 | 2 | | RONDELLA | RONDELLE | SCHEIBE | WASHER | PIANA Ø8 UNI 6592 | | |
| 4 | 40084100 | 1 | | SOSTEGNO | SUPPORT | TRAEGER | SUPPORT | | | |
| 5 | 60004000 | 2 | | VITE | VIS | SCHRAUBE | SCREW | TE 10 x 20 UNI 5739 | | |
| 6 | 61001200 | 2 | | RONDELLA | RONDELLE | SCHEIBE | WASHER | PIANA Ø10 UNI 6592 | | |
| 7 | 40145300 | 1 | | SUPPORTO | SUPPORT | TRAEGER | SUPPORT | | | |
| 8 | 63002200 | 1 | | ANELLO ELASTICO | ARRETOIR | SPANNRING | SNAP-RING | Ø25 E UNI 7435 | | |
| 9 | 62010600 | 4 | | DADO | ECROU | MUTTER | NUT | M12 x 1,75 AUTOBLOCC. | | |
| 10 | 61000500 | 4 | | RONDELLA | RONDELLE | SCHEIBE | WASHER | DENT. Ø12 UNI 3704 | | |
| 11 | 31054200 | 1 | | PERNO | PIVOT | BOLZEN | PIN | | | |
| 12 | 64000900 | 1 | | COPIGLIA | COUPILLE | SPLINT | COTTER PIN | AR Ø3 | | |
| 13 | 40136401 | 1 | | PIASTRA CARTER | PLAQUE | SEITENWAND | SIDE FRAME | | | 50987 |
| 13 | 40136402 | 1 | | PIASTRA CARTER | PLAQUE | SEITENWAND | SIDE FRAME | | 50988 | |
| 14 | 80005700 | 1 | | GUARNIZIONE | GARNITURE | DICHTUNG | SEAL | | | |
| 15 | 68000500 | 1 | | TAPPO | BOUCHON | STOPFEN | PLUG | | | |
| 16 | 40016901 | 1 | | COPERCHIO | COUVERCLE | DECKEL | COVER | | | |
| 17 | 40142700 | 1 | | STAFFA SX | BRIDE (G) | BUEGEL (LINKS) | BRACKET (LH) | | | |
| 18 | 60020000 | 1 | | VITE | VIS | SCHRAUBE | SCREW | TE M16 x 80 UNI 5739 | | |
| 19 | 62000900 | 1 | | DADO | ECROU | MUTTER | NUT | M16 x 2 UNI 5587 | | |
| 20 | 60001200 | 2 | | VITE | VIS | SCHRAUBE | SCREW | TE 12 x 35 UNI 5739 | | |
| 20 | 60000500 | 2 | | VITE | VIS | SCHRAUBE | SCREW | TE 12 x 30 UNI 5739 | | |
| 21 | 60001100 | 1 | | VITE | VIS | SCHRAUBE | SCREW | TE 10 x 10 UNI 5739 | | |
| 22 | 61000800 | 1 | | RONDELLA | RONDELLE | SCHEIBE | WASHER | PIANA Ø10 ALLUMINIO | | |
| 23 | 40151700 | 1 | | PARAURTI SX | PARE-CHOCS (G) | STOSS-STANGE (LINKS) | BUMPER (LH) | | | |
| 24 | 60021200 | 2 | | VITE | VIS | SCHRAUBE | SCREW | TE 12 x 35 UNI 5739 | | |

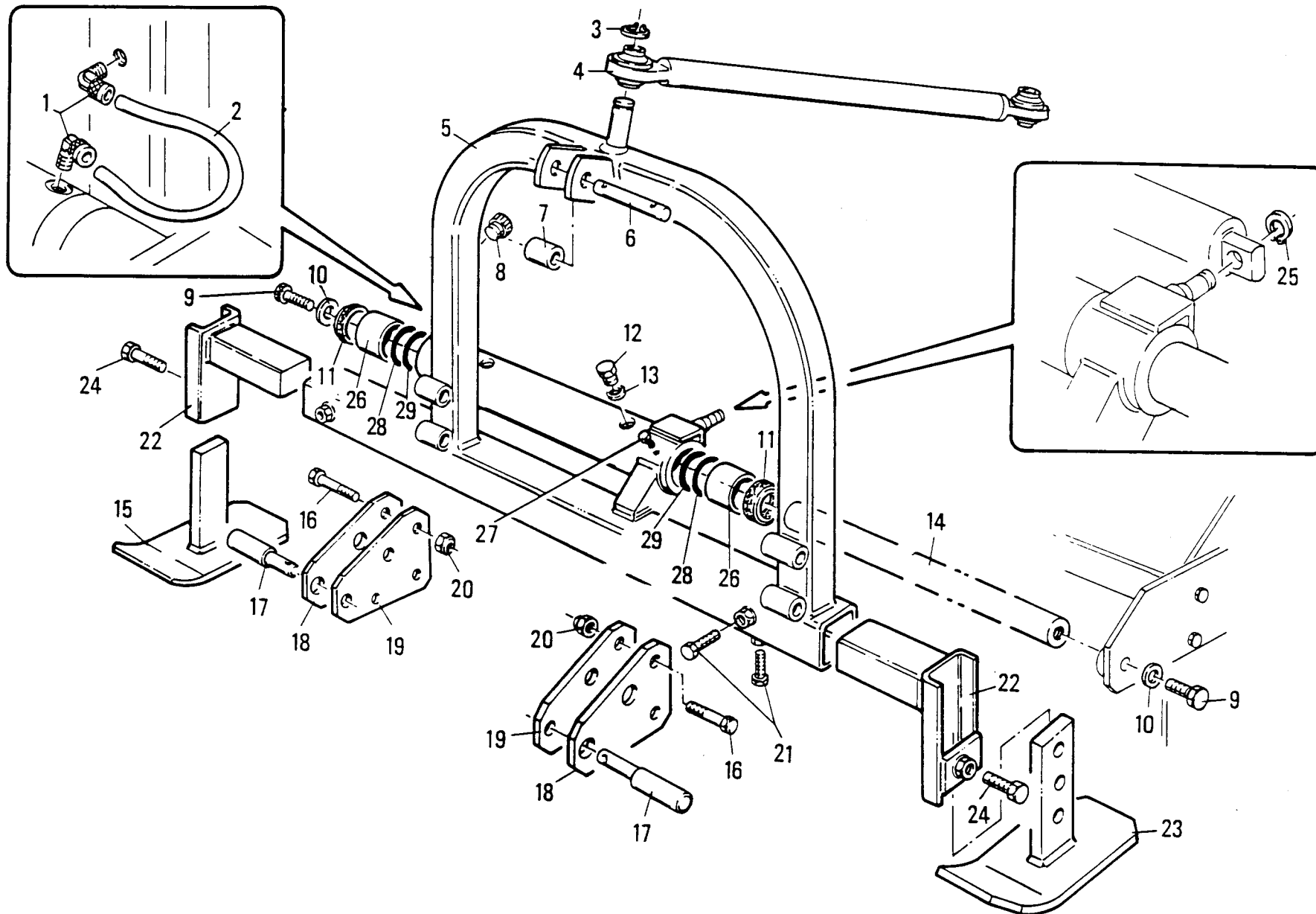


MURATORI MZ8IF - MZ8IV

TAV. 1.0 1/2

| POS. | N° | CODICE | Q | DESCRIZIONE | DESIGNATION | BENENNUNG | DESCRIPTION | DESIGNAZIONE | Da matr. | Fino matr |
|------|----------|--------|---|-------------|-------------|-------------|-------------|---------------------|-----------------|--------------------|
| | | | | | | | | | De nr. serie | Jusqu'au nr. serie |
| | | | | | | | | | Vom Seriennr. | Bis Seriennr. |
| | | | | | | | | | From serial nr. | Up to serial nr. |
| 25 | 61000500 | 2 | | RONDELLA | RONDELLE | SCHEIBE | WASHER | DENT. Ø12 UNI 3704 | | |
| 26 | 68008700 | 1 | | TAPPO | BOUCHON | STOPFEN | PLUG | | | |
| 27 | 62000700 | 14 | | DADO | ECROU | MUTTER | NUT | M8 x 1,25 UNI 5587 | | |
| 28 | 61000600 | 14 | | RONDELLA | RONDELLE | SCHEIBE | WASHER | DENT. Ø8 UNI 3704 | | |
| 29 | 60001200 | 12 | | VITE | VIS | SCHRAUBE | SCREW | TE 12 x 35 UNI 5739 | | |
| 30 | 62002200 | 2 | | DADO | ECROU | MUTTER | NUT | M12 x 1,75 UNI 5588 | | |
| 31 | 60000900 | 14 | | VITE | VIS | SCHRAUBE | SCREW | TE 8 x 20 UNI 5739 | | |
| 32 | 31055000 | 1 | | ASTA | TIGE | STANGE | ROD | 135 | | |
| 32 | 31055100 | 1 | | ASTA | TIGE | STANGE | ROD | 145 | | |
| 32 | 31055200 | 1 | | ASTA | TIGE | STANGE | ROD | 165 | | |
| 32 | 31055300 | 1 | | ASTA | TIGE | STANGE | ROD | 185 | | |
| 32 | 31055400 | 1 | | ASTA | TIGE | STANGE | ROD | 205 | | |
| 33 | 61000500 | 12 | | RONDELLA | RONDELLE | SCHEIBE | WASHER | DENT. Ø12 UNI 3704 | | |
| 34 | 62000600 | 8 | | DADO | ECROU | MUTTER | NUT | M12 x 1,75 UNI 5587 | | |
| 35 | 60000500 | 4 | | VITE | VIS | SCHRAUBE | SCREW | TE 12 x 30 UNI 5739 | | |
| 36 | 41086200 | 1 | | COFANO | CAPOT | SCHUTZHAUBE | HOOD | 135 | | |
| 36 | 41086300 | 1 | | COFANO | CAPOT | SCHUTZHAUBE | HOOD | 145 | | |
| 36 | 41086400 | 1 | | COFANO | CAPOT | SCHUTZHAUBE | HOOD | 165 | | |
| 36 | 41086500 | 1 | | COFANO | CAPOT | SCHUTZHAUBE | HOOD | 185 | | |
| 36 | 41086600 | 1 | | COFANO | CAPOT | SCHUTZHAUBE | HOOD | 205 | | |
| 37 | 62007100 | 1 | | DADO | ECROU | MUTTER | NUT | M12 x 1,75 UNI 5587 | | |
| 38 | 61005000 | 1 | | RONDELLA | RONDELLE | SCHEIBE | WASHER | PIANA Ø12 | | |
| 39 | 60020400 | 1 | | VITE | VIS | SCHRAUBE | SCREW | TE 12 x 25 UNI 5739 | | |
| 40 | 68022900 | 1 | | CATENA | CHAINE | KETTE | CHAIN | | | |
| 41 | 40142600 | 1 | | FIANCO | FLANC | SEITENWAND | SIDE FRAME | | | 50987 |
| 41 | 40142601 | 1 | | FIANCO | FLANC | SEITENWAND | SIDE FRAME | | 50988 | |

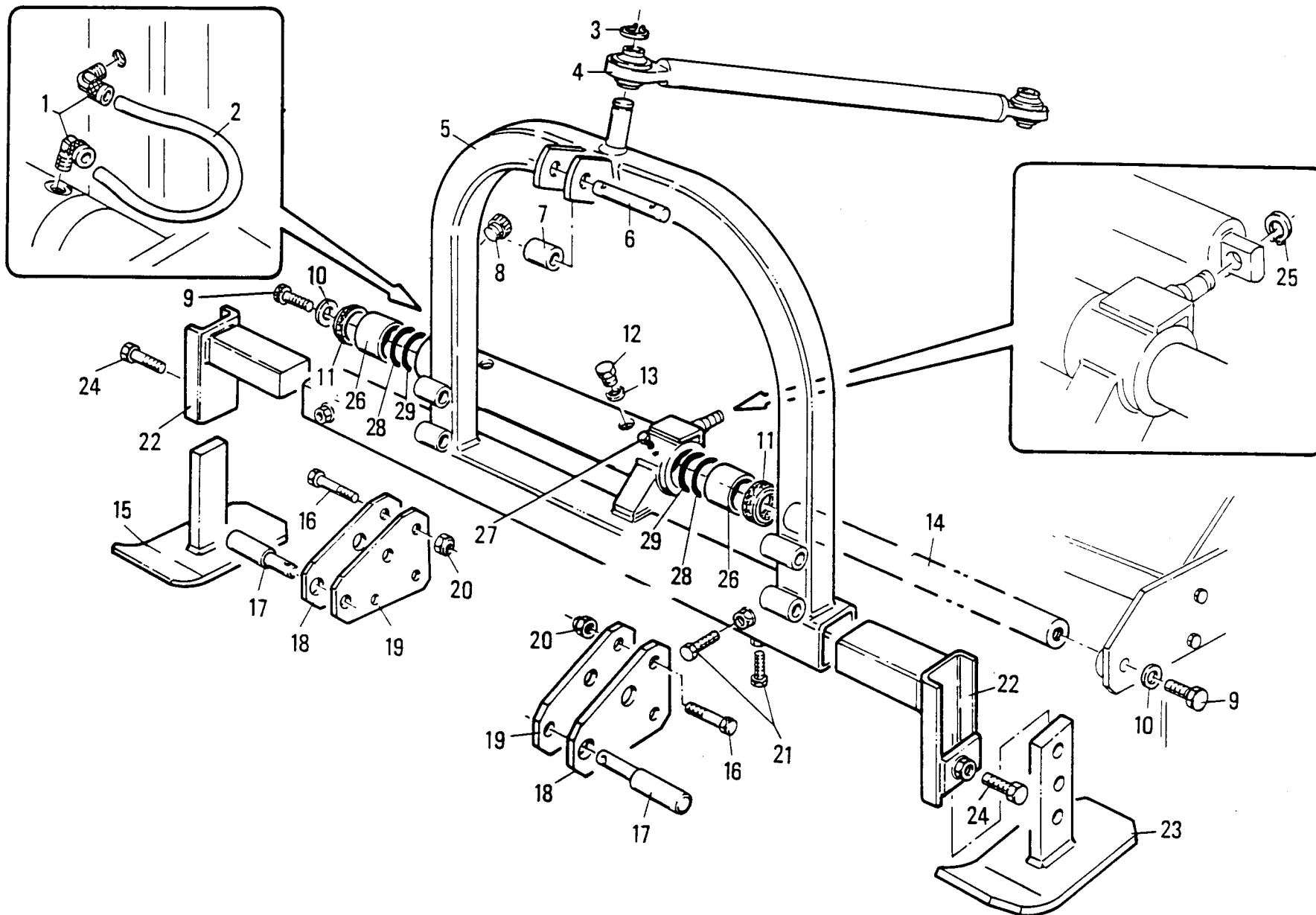


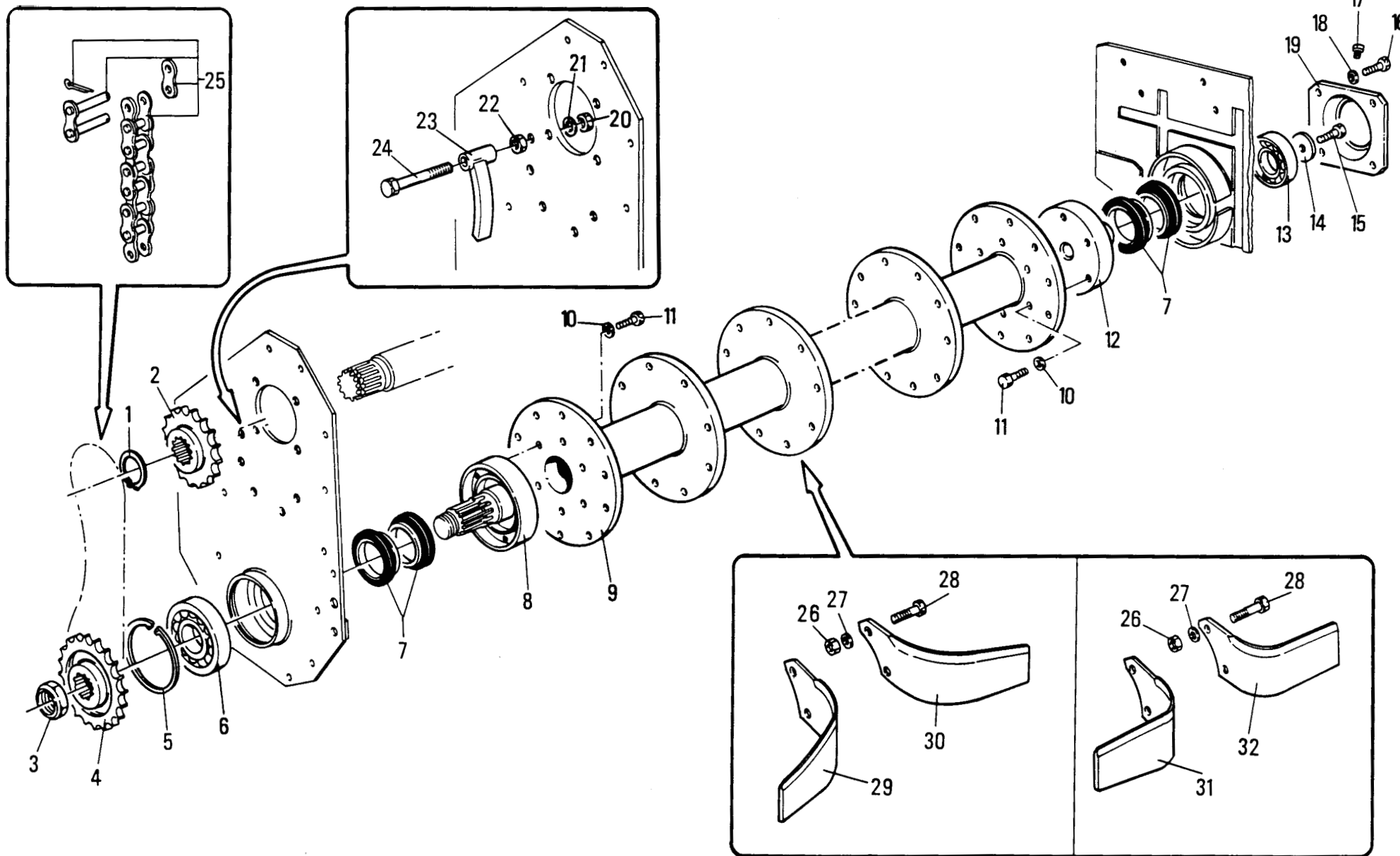


MURATORI MZ8IF - MZ8IV

TAV. 1.0 2/2

| POS. | N° | CODICE | Q | DESCRIZIONE | DESIGNATION | BENENNUNG | DESCRIPTION | DESIGNAZIONE | Da matr. | Fino matr |
|------|----------|--------|---|-----------------|-------------------|---------------------|-----------------|-------------------------|-----------------|--------------------|
| | | | | | | | | | De nr. serie | Jusqu'au nr. serie |
| | | | | | | | | | Vom Seriennr. | Bis Seriennr. |
| | | | | | | | | | From serial nr. | Up to serial nr. |
| 1 | 68061000 | 2 | | RACCORDO | RACCORD | STUTZEN | CONNECTION | 90° Ø8 x 1/4" | | |
| 2 | 68061100 | 1 | | TUBO | TUBE | ROHR | TUBE | 8 x 6 | | |
| 3 | 63002200 | 1 | | ANELLO ELASTICO | ARRETOIR | SPANNRING | SNAP-RING | Ø25 E UNI 7435 | | |
| 4 | 40142400 | 1 | | TENDITORE | TENDEUR | SPANNSCHLOSS | COUPLING-SLEEVE | | | |
| 5 | 40147700 | 1 | | TELAIO | CHASSIS | RAHMEN | FRAME | MZ8IF 135-145 | | |
| 5 | 40147800 | 1 | | TELAIO | CHASSIS | RAHMEN | FRAME | MZ8IF 165-185-205 | | |
| 5 | 40148300 | 1 | | TELAIO | CHASSIS | RAHMEN | FRAME | MZ8IV 135-145 | | |
| 5 | 40148500 | 1 | | TELAIO | CHASSIS | RAHMEN | FRAME | MZ8IV 165-185-205 | | |
| 6 | 68062000 | 1 | | PERNO | PIVOT | BOLZEN | PIN | | | |
| 7 | 32108500 | 1 | | BOCCOLA | DOUILLE | BUECHSE | BUSHING | | | |
| 8 | 68004300 | 1 | | TAPPO | BOUCHON | STOPFEN | PLUG | | | |
| 9 | 60031300 | 2 | | VITE | VIS | SCHRAUBE | SCREW | TE 18 x 40 UNI 5739 | | |
| 10 | 61000200 | 2 | | RONDELLA | RONDELLE | SCHEIBE | WASHER | DENT. Ø18 UNI 3704 | | |
| 11 | 66013000 | 2 | | RASCHIAPOLVERE | RACLEUR DE POUDRE | POLVERSCHABER | DUST SCRAPER | | | |
| 12 | 60001100 | 1 | | VITE | VIS | SCHRAUBE | SCREW | TE 10 x 10 UNI 5739 | | |
| 13 | 61000800 | 1 | | RONDELLA | RONDELLE | SCHEIBE | WASHER | PIANA Ø10 ALLUMINIO | | |
| 14 | 38018600 | 1 | | STELO | TIGE | KOLBENSTANGE | ROD | MZ8IF-MZ8IV 135-145 | | |
| 14 | 38018700 | 1 | | STELO | TIGE | KOLBENSTANGE | ROD | MZ8IF-MZ8IV 165-185-205 | | |
| 15 | 40144900 | 1 | | SLITTA DX | CHARIOT DX | STUTZTKUFE (RECHTS) | SKID (RH) | | | |
| 16 | 60026500 | 4 | | VITE | VIS | SCHRAUBE | SCREW | TE 16 x 100 UNI 5737 | | |
| 17 | 68062200 | 2 | | PERNO | PIVOT | BOLZEN | PIN | | | |
| 18 | 39168700 | 2 | | STAFFA | BRIDE | BUEGEL | BRACKET | Ø28 | | |
| 19 | 39168800 | 2 | | STAFFA | BRIDE | BUEGEL | BRACKET | Ø22 | | |
| 20 | 62011000 | 4 | | DADO | ECROU | MUTTER | NUT | M16 x 2 AUTOBLOCC. | | |
| 21 | 60026700 | 4 | | VITE | VIS | SCHRAUBE | SCREW | TE 14 x 30 UNI 5739 | | |
| 22 | 40153200 | 2 | | SUPPORTO | SUPPORT | TRAEGER | SUPPORT | | | |

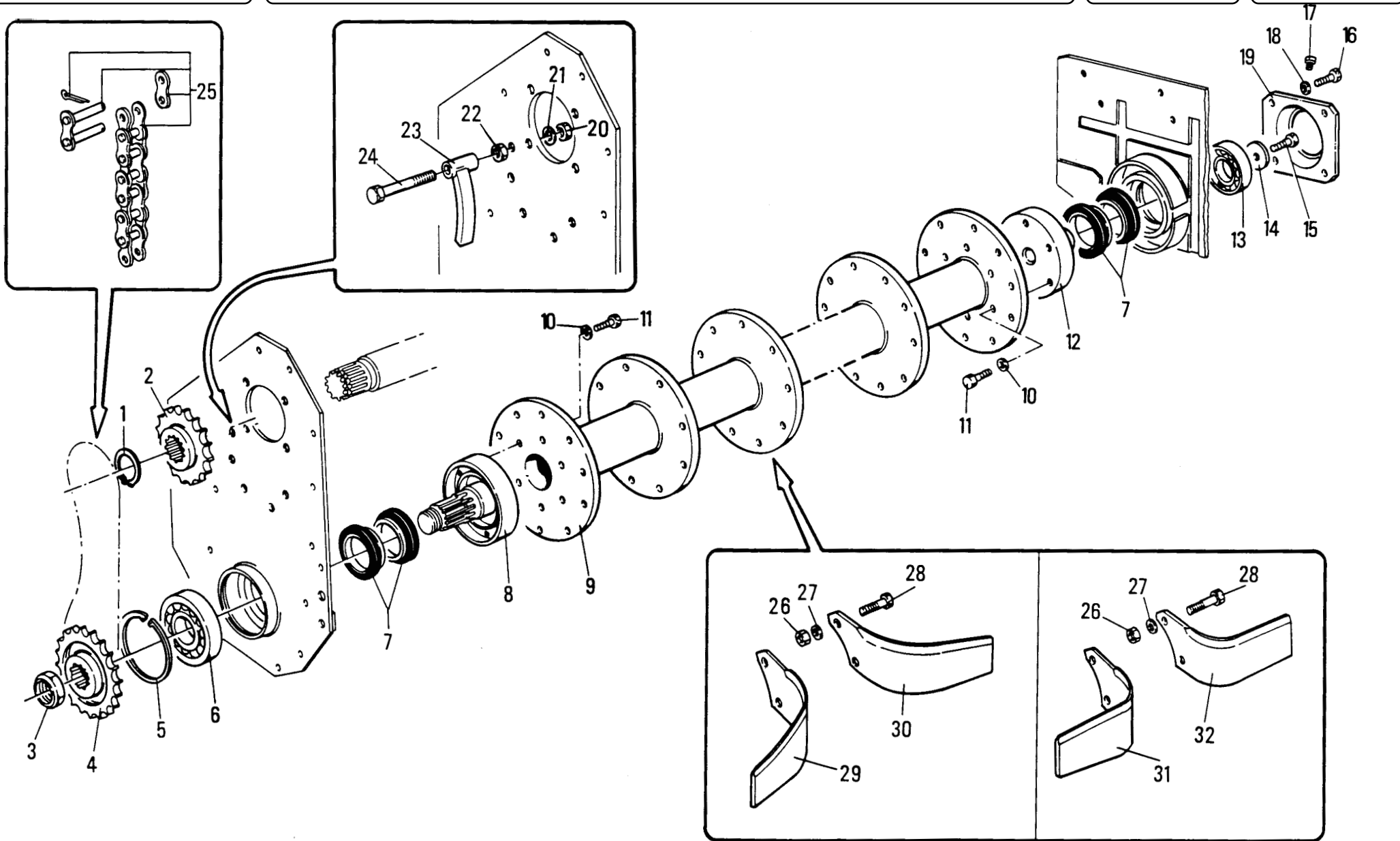


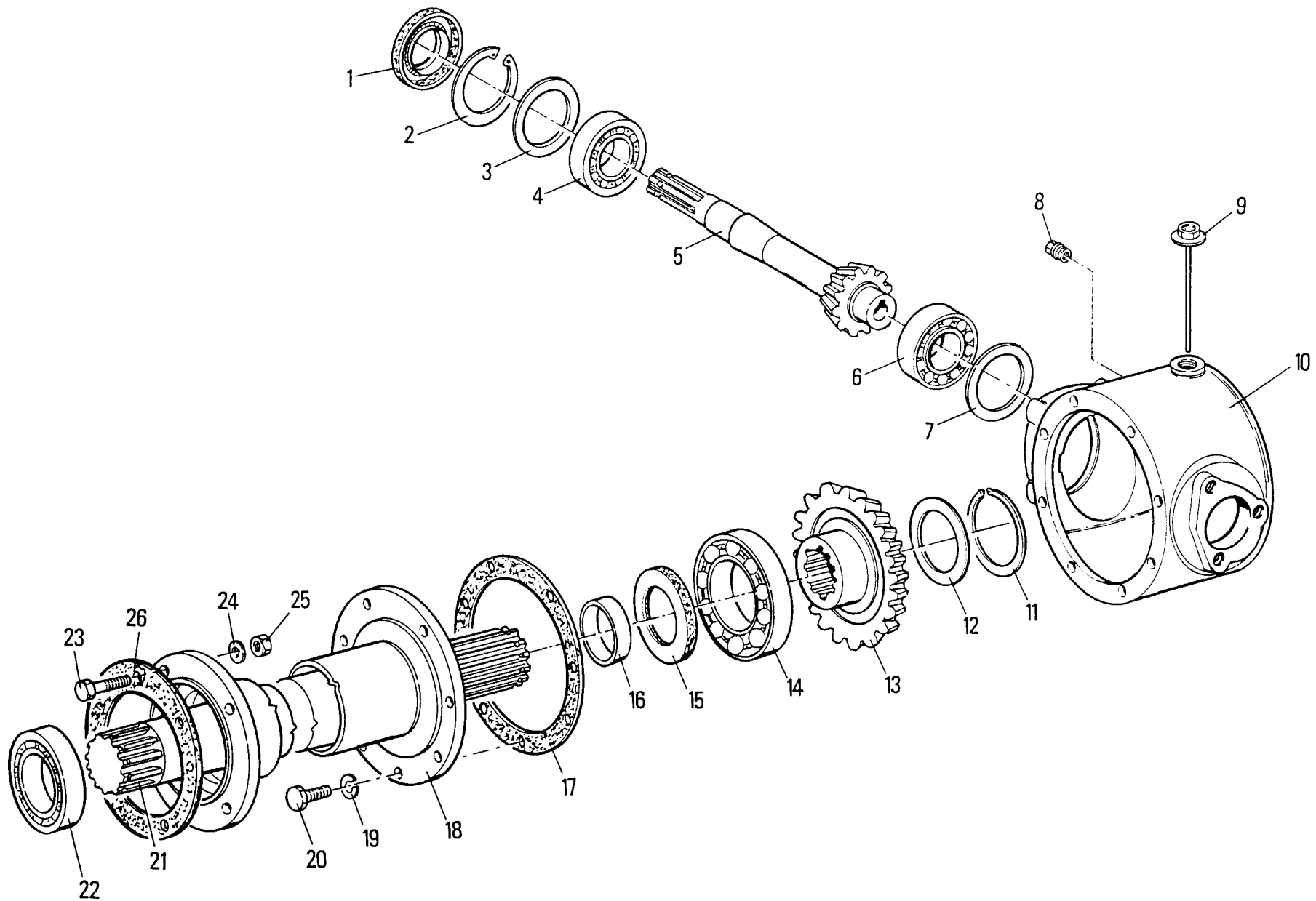


MURATORI MZ8IF - MZ8IV

TAV. 2.0

| POS. | N° CODICE | Q | DESCRIZIONE | DESIGNATION | BENENNUNG | DESCRIPTION | DESIGNAZIONE | Da matr. | Fino matr |
|------|-----------|----|--------------------|--------------------|---------------|-------------|--------------------------------|-----------------|--------------------|
| | | | | | | | | De nr. serie | Jusqu'au nr. serie |
| | | | | | | | | Vom Seriennr. | Bis Seriennr. |
| | | | | | | | | From serial nr. | Up to serial nr. |
| 1 | 63000700 | 1 | ANELLO ELASTICO | ARRETOIR | SPANNRING | SNAP-RING | Ø40 E UNI 7435 | | |
| 2 | 10009900 | 1 | PIGNONE | PIGNON | RITZEL | PINION | Z 10 1" 1/4 | | |
| 3 | 62004700 | 1 | GHIERA | FRETTE | NUTMUTTER | RING NUT | M40 x 1,5 H 12,1 | | |
| 4 | 10031700 | 1 | CORONA | COURONNE | KRANZ | CROWN | Z 15 1" 1/4 | | |
| 5 | 63002800 | 1 | ANELLO ELASTICO | ARRETOIR | SPANNRING | SNAP-RING | Ø110 I UNI 7437-75 | | |
| 6 | 67005900 | 1 | CUSCINETTO | ROULEMENT | LAGER | BEARING | 6310 | | |
| 7 | 66012100 | 2 | ANELLO TENUTA | JOINT D'ETANCHEITE | DICHTUNGSRING | JUNT RING | BC 0350 | | |
| 8 | 40132600 | 1 | MOZZO FLANGIATO SX | MOYEU (G) | NABE (LINKS) | HUB (LH) | | | 50987 |
| 8 | 40132601 | 1 | MOZZO FLANGIATO SX | MOYEU (G) | NABE (LINKS) | HUB (LH) | | 50988 | |
| 9 | 42052900 | 1 | ROTORE | ROTOR | ROTOR | ROTOR | 135 | | |
| 9 | 42053000 | 1 | ROTORE | ROTOR | ROTOR | ROTOR | 145 | | |
| 9 | 42053200 | 1 | ROTORE | ROTOR | ROTOR | ROTOR | 165 | | |
| 9 | 42053300 | 1 | ROTORE | ROTOR | ROTOR | ROTOR | 185 | | |
| 9 | 42053400 | 1 | ROTORE | ROTOR | ROTOR | ROTOR | 205 | | |
| 10 | 61000500 | 12 | RONDELLA | RONDELLE | SCHEIBE | WASHER | DENT. INT. Ø12 UNI 3704 | | |
| 11 | 60013600 | 12 | VITE | VIS | SCHRAUBE | SCREW | TE 12 x 1,5 x 25 UNI 5440 10,9 | | |
| 12 | 40132700 | 1 | MOZZO FLANGIATO DX | MOYEU (D) | NABE (RECHTS) | HUB (RH) | | | 50987 |
| 12 | 40132701 | 1 | MOZZO FLANGIATO DX | MOYEU (D) | NABE (RECHTS) | HUB (RH) | | 50988 | |
| 13 | 67001900 | 1 | CUSCINETTO | ROULEMENT | LAGER | BEARING | 6308 | | |
| 14 | 61004600 | 1 | RONDELLA | RONDELLE | SCHEIBE | WASHER | Ø14 Ø46 sp. 4 | | |
| 15 | 60000800 | 1 | VITE | VIS | SCHRAUBE | SCREW | TE 14 x 25 UNI 5739 8,8 | | |
| 16 | 60004000 | 4 | VITE | VIS | SCHRAUBE | SCREW | TE 10 x 20 UNI 5739 8,8 | | |
| 17 | 68053400 | 1 | TAPPO | BOUCHON | STOPFEN | PLUG | M10 x 1 DIN 908 | | |
| 18 | 61001500 | 4 | RONDELLA | RONDELLE | SCHEIBE | WASHER | GROW. Ø10 UNI 1751-A | | |
| 19 | 10032300 | 1 | COPERCHIO | COUVERCLE | DECKEL | COVER | | | |
| 20 | 62000600 | 1 | DADO | ECROU | MUTTER | NUT | M12 x 1,75 UNI 5587-65 | | |

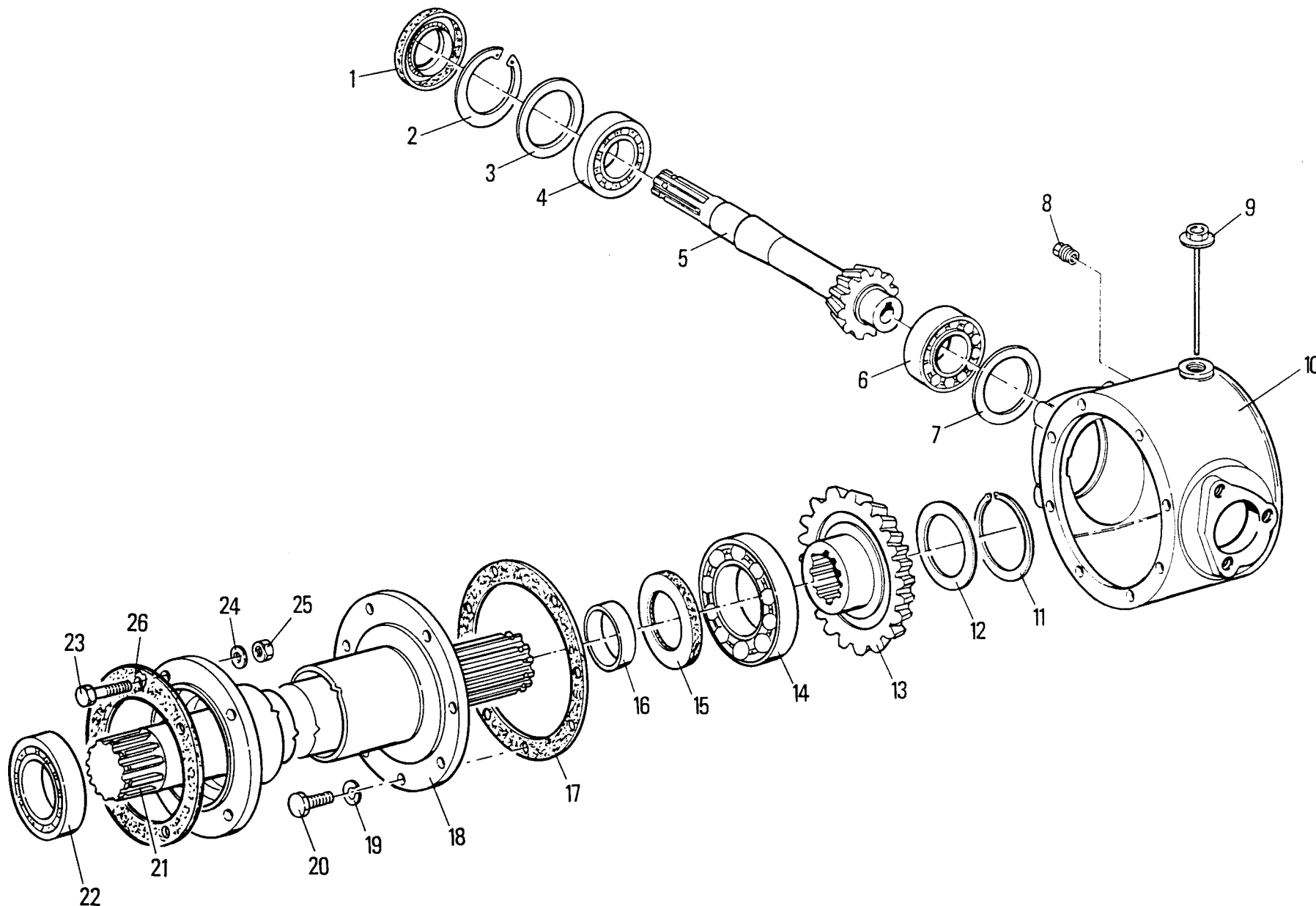


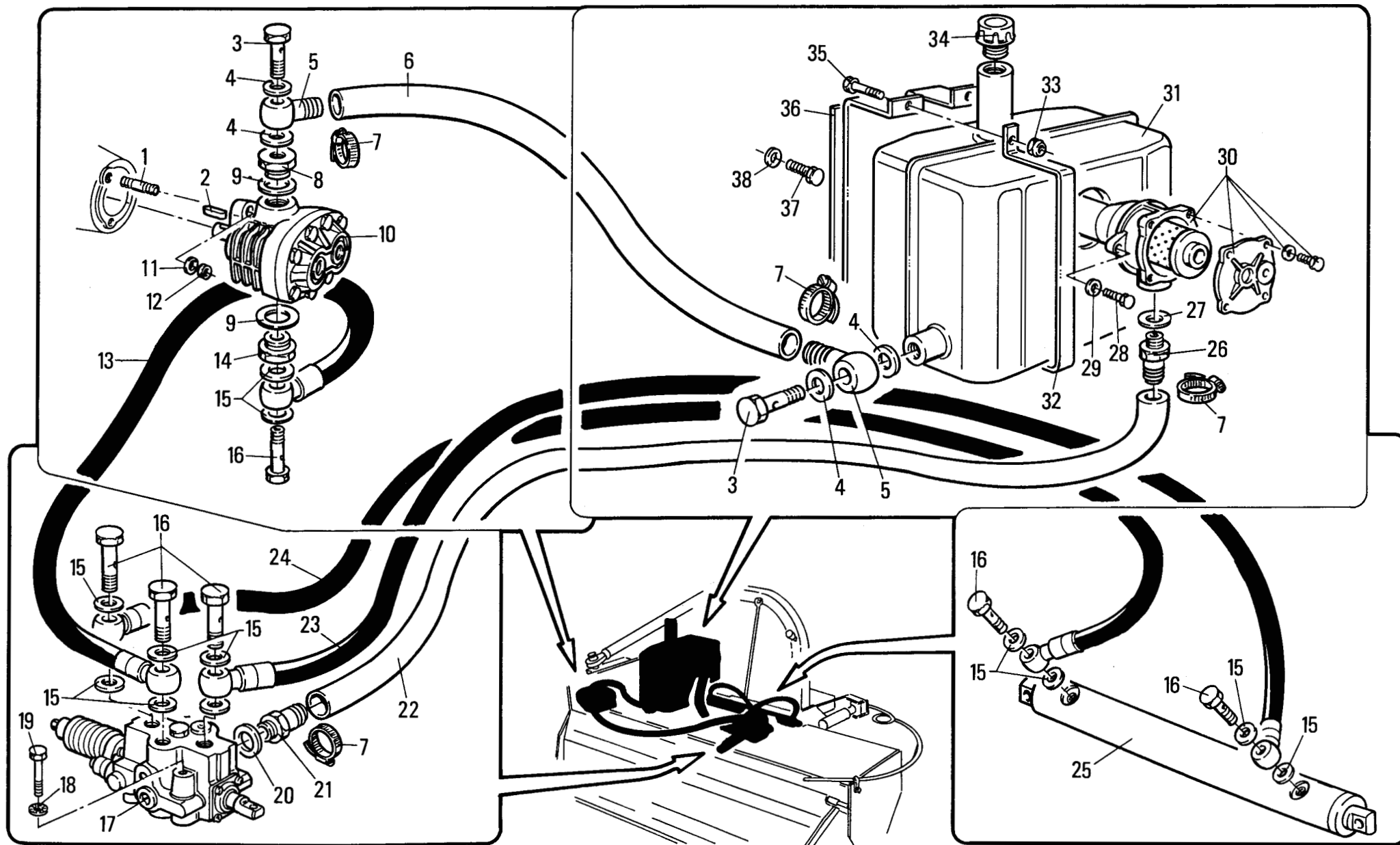


MURATORI MZ8IF - MZ8IV

TAV. 3.0

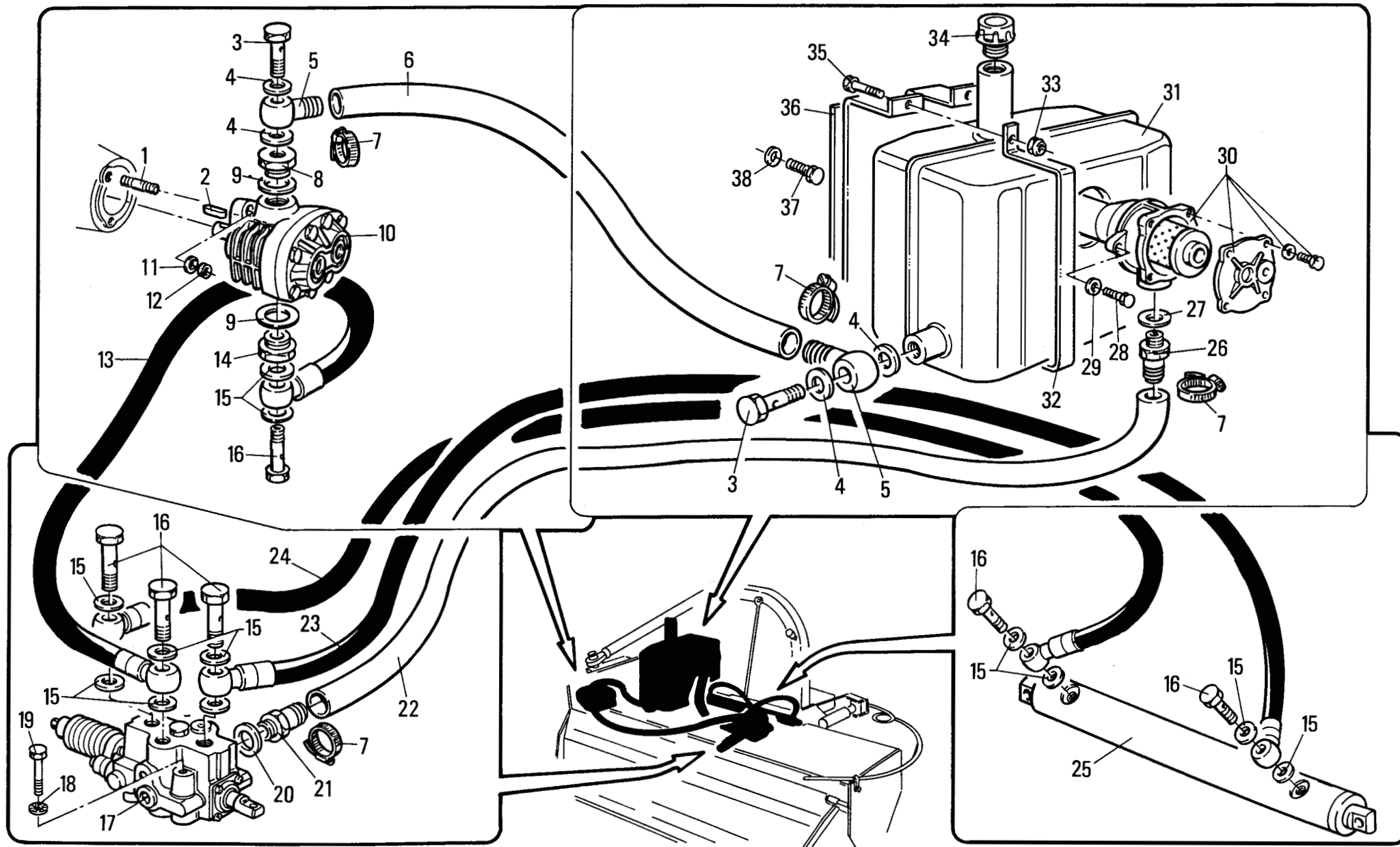
| POS. | N° CODICE | Q | DESCRIZIONE | DESIGNATION | BENENNUNG | DESCRIPTION | DESIGNAZIONE | Da matr. | Fino matr |
|------|-----------|---|-----------------|--------------------|---------------|-------------|-------------------------|-----------------|--------------------|
| | | | | | | | | De nr. serie | Jusqu'au nr. serie |
| | | | | | | | | Vom Seriennr. | Bis Seriennr. |
| | | | | | | | | From serial nr. | Up to serial nr. |
| 1 | 66001400 | 1 | ANELLO TENUTA | JOINT D'ETANCHEITE | DICHTUNGSRING | JUNT RING | 35 x 80 x 10 | | |
| 2 | 63000200 | 1 | ANELLO ELASTICO | ARRETOIR | SPANNRING | SNAP-RING | Ø80 I UNI 7437 | | |
| 3 | 68013000 | 1 | SPESSORE | EPAISSEUR | DICKE | THICKNESS | 63 x 80 x 1 | | |
| 4 | 67002100 | 1 | CUSCINETTO | ROULEMENT | LAGER | BEARING | 6307 | | |
| 5 | 10026500 | 1 | ALBERO | ARBRE | WELLE | SHAFT | Z 12 | | |
| 6 | 67005200 | 1 | CUSCINETTO | ROULEMENT | LAGER | BEARING | 30208 | | |
| 7 | 68013000 | 1 | SPESSORE | EPAISSEUR | DICKE | THICKNESS | 63 x 80 x 1 | | |
| 8 | 68008700 | 1 | TAPPO | BOUCHON | STOPFEN | PLUG | 3/8 CONICO | | |
| 9 | 68007600 | 1 | TAPPO | BOUCHON | STOPFEN | PLUG | | | |
| 10 | 02002900 | 1 | SCATOLA | CARTER | GEHAEUSE | GEAR BOX | | | |
| 11 | 63000700 | 1 | ANELLO ELASTICO | ARRETOIR | SPANNRING | SNAP-RING | Ø40 E UNI 7435 | | |
| 12 | 68008200 | 1 | SPESSORE | EPAISSEUR | DICKE | THICKNESS | 40 x 50 x 1 | | |
| 13 | 10016700 | 1 | CORONA CONICA | COURONNE CONIQUE | KEGELKRANZ | RING BEVEL | Z 19 | | |
| 14 | 67000200 | 1 | CUSCINETTO | ROULEMENT | LAGER | BEARING | 6212 | | |
| 15 | 66003900 | 1 | ANELLO TENUTA | JOINT D'ETANCHEITE | DICHTUNGSRING | JUNT RING | 50 x 65 x 8 | | |
| 16 | 32045400 | 1 | BOCCOLA | DOUILLE | BUECHSE | BUSHING | | | |
| 17 | 80000100 | 1 | GUARNIZIONE | GARNITURE | DICHTUNG | SEAL | | | |
| 18 | 40051800 | 1 | CANOTTO | TUBE | ROHR | TUBE | MZ8IV 135-145 | | |
| 18 | 40051900 | 1 | CANOTTO | TUBE | ROHR | TUBE | MZ8IV 165-185-205 | | |
| 18 | 40095500 | 1 | CANOTTO | TUBE | ROHR | TUBE | MZ8IF 135-205 | | |
| 19 | 61000400 | 8 | RONDELLA | RONDELLE | SCHEIBE | WASHER | DENT. INT. Ø10 UNI 3704 | | |
| 20 | 60002300 | 8 | VITE | VIS | SCHRAUBE | SCREW | TE 10 x 25 UNI 5739 8,8 | | |
| 21 | 31024000 | 1 | SEMIASSE | DEMI-ESSIEU | ACHSWELLE | AXLE SHAFT | MZ8IV 135-145 | | |
| 21 | 31024100 | 1 | SEMIASSE | DEMI-ESSIEU | ACHSWELLE | AXLE SHAFT | MZ8IV 165-185-205 | | |
| 21 | 31043000 | 1 | SEMIASSE | DEMI-ESSIEU | ACHSWELLE | AXLE SHAFT | MZ8IF 135-205 | | |
| 22 | 67001900 | 1 | CUSCINETTO | ROULEMENT | LAGER | BEARING | 6308 | | |

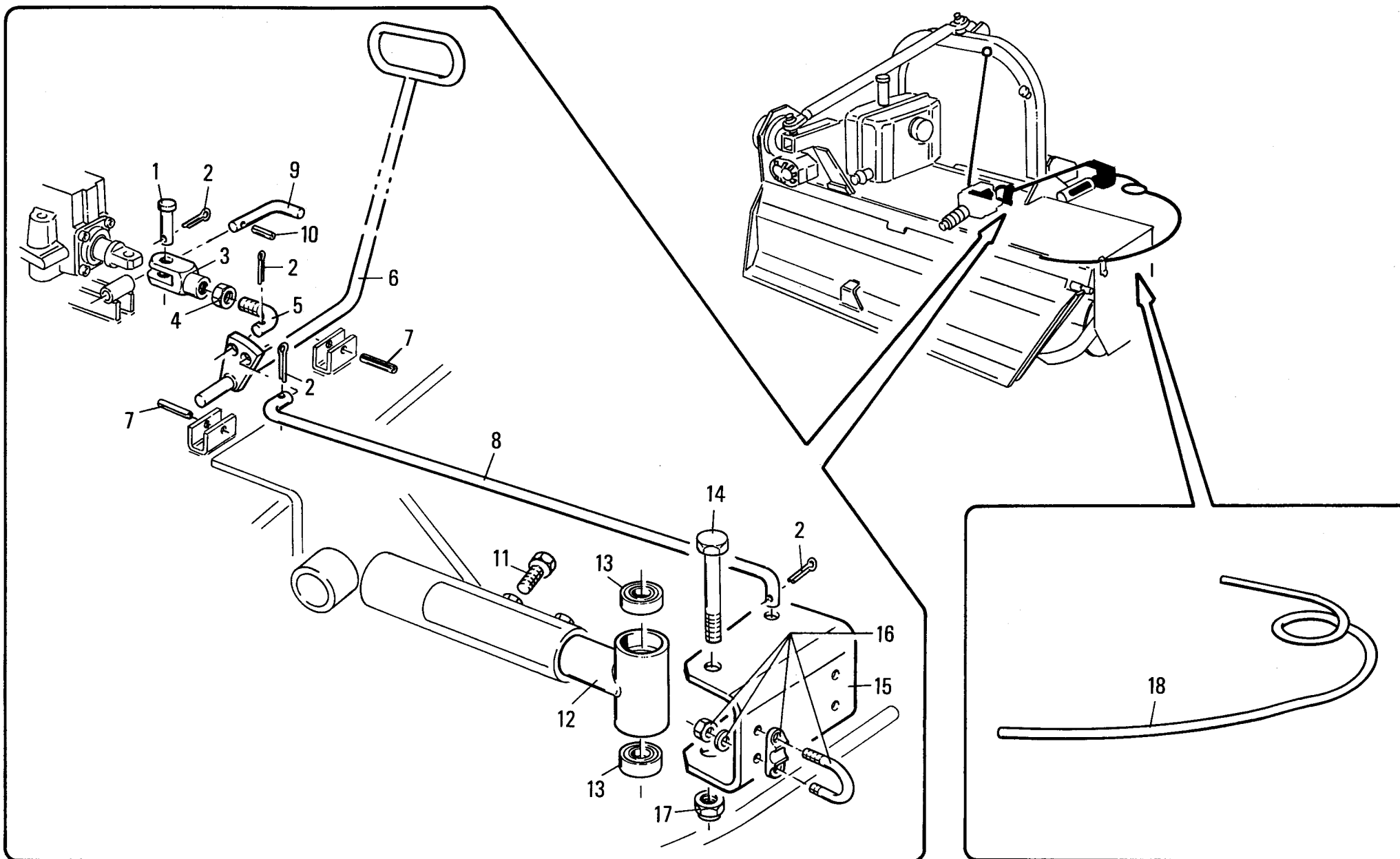


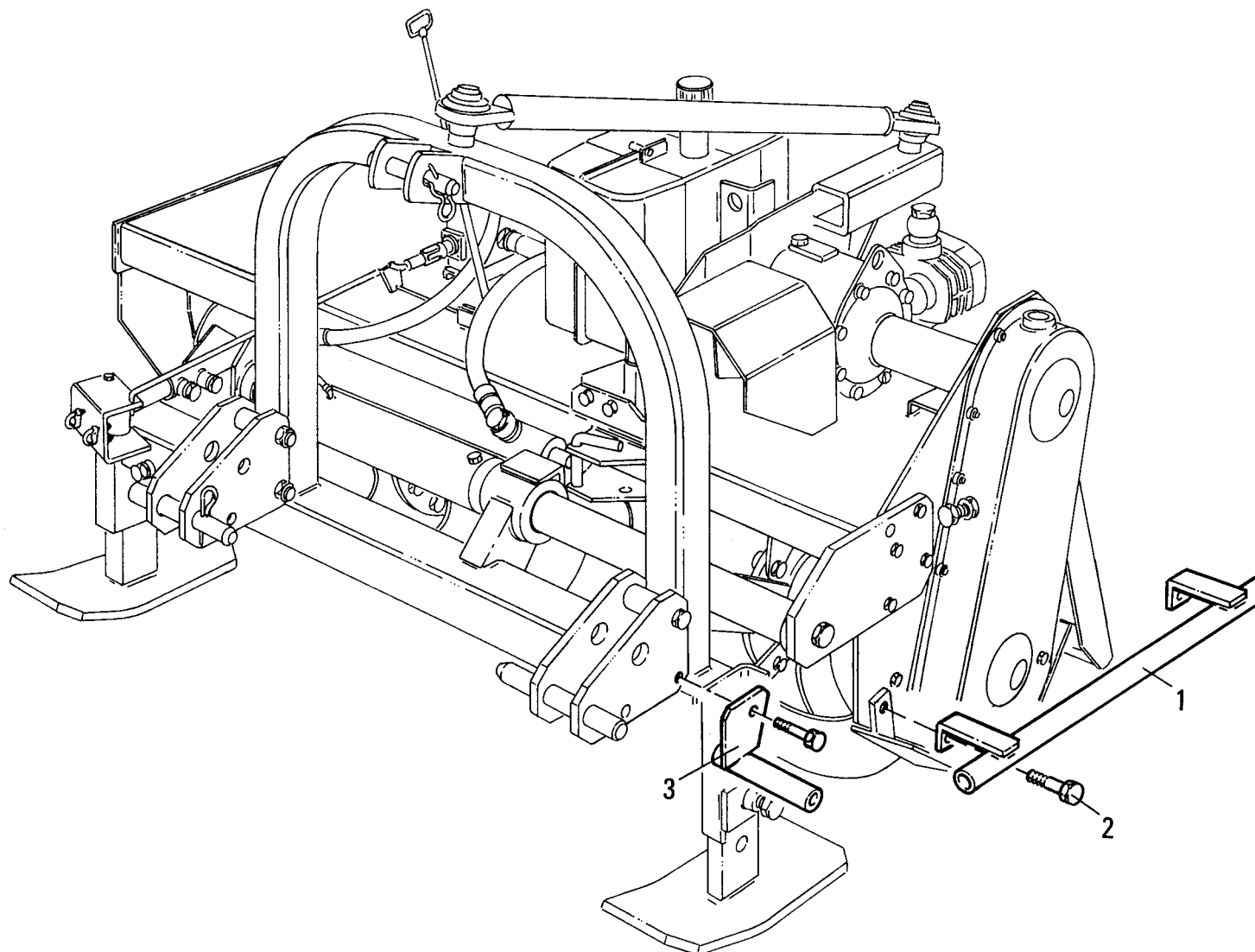


MURATORI MZ8IF - MZ8IV
TAV. 4.0

| POS. | N° CODICE | Q | DESCRIZIONE | DESIGNATION | BENENNUNG | DESCRIPTION | DESIGNAZIONE | Da matr. | Fino matr |
|------|-----------|----|--------------------|--------------|--------------|----------------|--------------------------|-----------------|--------------------|
| | | | | | | | | De nr. serie | Jusqu'au nr. serie |
| | | | | | | | | Vom Seriennr. | Bis Seriennr. |
| | | | | | | | | From serial nr. | Up to serial nr. |
| 1 | 60023900 | 3 | VITE | VIS | SCHRAUBE | SCREW | PRIG. 10 x 30 UNI 5911 | | |
| 2 | 65002300 | 1 | CHIAVETTA | CLE | SCHLUESSEL | KEY | | | |
| 3 | 68064000 | 2 | VITE | VIS | SCHRAUBE | SCREW | FORATA 3/4" | | |
| 4 | 61005900 | 4 | RONDELLA | RONDELLE | SCHEIBE | WASHER | RAME 3/4" | | |
| 5 | 68063900 | 2 | RACCORDO | RACCORD | STUTZEN | CONNECTION | 3/4" ATTACCO 3/4" | | |
| 6 | 68063800 | 1 | TUBO | TUBE | ROHR | TUBE | SAE 100 3/4" L=250 | | |
| 7 | 68064100 | 4 | FASCETTA | COLLIER | HALTEBAND | HOSE CLAMP | | | |
| 8 | 68064900 | 1 | RIDUZIONE | REDUCTION | VERRINGERUNG | REDUCER | 1" 3/4" | | |
| 9 | 61008600 | 1 | RONDELLA | RONDELLE | SCHEIBE | WASHER | RAME 1" | | |
| 10 | 68055400 | 1 | POMPA | POMPE | PUMPE | PUMP | | | |
| 11 | 61000400 | 3 | RONDELLA | RONDELLE | SCHEIBE | WASHER | DENT. Ø10 UNI 3704 | | |
| 12 | 62000500 | 3 | DADO | ECROU | MUTTER | NUT | M10 x 1,5 UNI 5587 | | |
| 13 | 68064200 | 1 | TUBO | TUBE | ROHR | TUBE | MZ8IF | | |
| 13 | 68064400 | 1 | TUBO | TUBE | ROHR | TUBE | MZ8IV | | |
| 14 | 68065000 | 1 | RIDUZIONE | REDUCTION | VERRINGERUNG | REDUCER | 1" 1/2" | | |
| 15 | 61005700 | 12 | RONDELLA | RONDELLE | SCHEIBE | WASHER | RAME 1/2 " | | |
| 16 | 68064300 | 6 | VITE | VIS | SCHRAUBE | SCREW | FORATA 1/2" | | |
| 17 | 68061200 | 1 | DISTRIBUTORE | DISTRIBUTEUR | STEUERVENTIL | CONTROL VALVE | | | |
| 18 | 61000600 | 2 | RONDELLA | RONDELLE | SCHEIBE | WASHER | DENT. Ø8 UNI 3704 | | |
| 19 | 60025000 | 2 | VITE | VIS | SCHRAUBE | SCREW | TCEI 8 x 50 UNI 5931 | | |
| 20 | 61005900 | 1 | RONDELLA | RONDELLE | SCHEIBE | WASHER | RAME 3/4" | | |
| 21 | 68064600 | 1 | MASCHIO PORTAGOMMA | TENON | GEWINDEKERN | MALE CONNECTOR | 3/4" - 3/4" MZ8IF | | |
| 21 | 68064000 | 1 | VITE | VIS | SCHRAUBE | SCREW | FORATA 3/4" MZ8IV | | |
| 21 | 68063900 | 1 | RACCORDO | RACCORD | STUTZEN | CONNECTION | 3/4" - 3/4" MZ8IV | | |
| 22 | 68064500 | 1 | TUBO | TUBE | ROHR | TUBE | SAE 100 3/4" MZ8IF L=440 | | |
| 22 | 68065300 | 1 | TUBO | TUBE | ROHR | TUBE | SAE 100 3/4" MZ8IV L=110 | | |







ZAPPATRICI - ERPICI ROTANTI - TRINCIATRICI

MURATORIM 

41051 CASTELNUOVO RANGONE (MODENA) Italy
Via Pavarello, 21 - 21/A-B-C -P.O.Box 45 -
Tel. ++39 059 535919 - Telefax ++39 059 537259
<http://www.muratoriequip.it>
e-mail: info@muratoriequip.it